

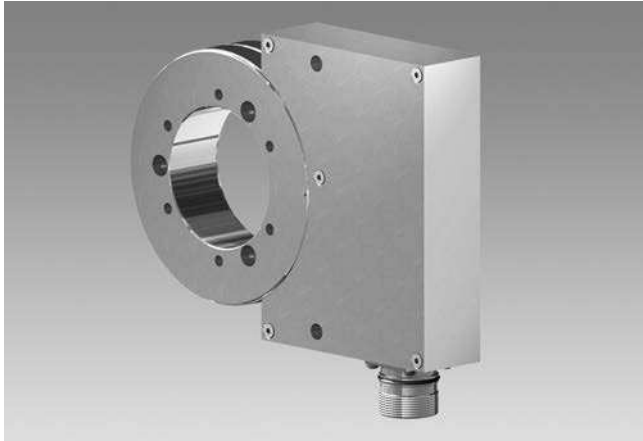
Encoders without bearings - incremental

Sensor head with integrated FPGA signal processing, magnetic sensing

64...131072 pulses or 64...8192 sinewave cycles per turn

Through hollow shaft max. $\varnothing 80$ mm

MHGP 100 - HDmag



MHGP 100 - Version for axial screw mounting

Features

- Sinewave or square-wave signals
- Robust and wearless
- Electronics is fully encapsulated, high protection
- Large tolerances: axial ± 3 mm, radial max. 2.2 mm
- Very compact dimensions
- Simple mounting, easy adaptation
- Several mounting possibilities
- Sensor head with integrated FPGA signal processing

Optional

- Triple-bandage (increased operating speed)

Technical data - electrical ratings

Interference immunity	EN 61000-6-2
Emitted interference	EN 61000-6-3
Approval	CE

Technical data - electrical ratings (square-wave)

Voltage supply	4.5...30 VDC
Consumption w/o load	≤ 160 mA
Pulses per revolution	64...131072
Phase shift	$90^\circ \pm 10^\circ$
Scan ratio	40...60 %
Reference signal	Zero pulse, width 90°
Sensing method	Magnetic
Output frequency	≤ 2 MHz
Output signals	A+, B+, R+, A-, B-, R-
Output stages	HTL TTL/RS422

Technical data - electrical ratings (SinCos)

Voltage supply	4.5...30 VDC
Consumption w/o load	≤ 160 mA
Sinewave cycles per turn	64...8192
Phase shift	$90^\circ \pm 5^\circ$
Reference signal	Zero pulse, width 90°
Sensing method	Magnetic
Output signals	A+, B+, R+, A-, B-, R-
Output stages	SinCos 1 Vpp
Difference of SinCos amplitude	≤ 20 mV
Harmonics typ.	-40 dB
DC offset	≤ 20 mV
Bandwidth	400 kHz (-3 dB)

Technical data - mechanical design

Sensor head	FPGA signal processing
Size (flange)	$\varnothing 99,9$ mm
Axial tolerance	± 3 mm (wheel/head)
Radial tolerance	0.1...2.2 mm (wheel/head)
Shaft type	$\varnothing 16...80$ mm (through hollow shaft)
Protection DIN EN 60529	IP 67 (head), IP 68 (wheel)
Operating temperature	$-20...+85$ °C
Operating speed	≤ 8000 rpm
Resistance	IEC 60068-2-6 Vibration 30 g, 55-2000 Hz IEC 60068-2-27 Shock 300 g, 2 ms
Accuracy of magnetic measure	± 300 "
Connection	Flange connector M23, 12-pin

Encoders without bearings - incremental

Sensor head with integrated FPGA signal processing, magnetic sensing
64...131072 pulses or 64...8192 sinewave cycles per turn
Through hollow shaft max. ø80 mm

MHGP 100 - HDmag

Part number

MHGP 100 5 N C

Pulse number/sinewave cycles - see table

Voltage supply / signals

- P 4,5...30 VDC / SinCos
- R 4,5...30 VDC / square-wave (TTL)
- T 5 VDC ±5 % / square-wave (TTL)
- H 10...30 VDC / square-wave (HTL)
- U 5...30 VDC / square-wave (5 VDC = TTL / 10...30 VDC = HTL universal)

Mounting type / hollow shaft (ø mm)

Screw mounting

G38, G45, G50, G55, G60, G65, G70, G75, G80

Clamping set mounting

Z16, Z20, Z22, Z25, Z28, Z32, Z35, Z38, Z40, Z42, Z45, Z48, Z50, Z55, Z60, Z63, Z65

Shrink fit mounting

H38, H45, H50, H55, H60, H65, H70, H75, H80

Clamping ring mounting

K25, K30, K32, K38, K40, K45, K48, K50, K55, K56, K60, K65, K70, K75

Bandaging

- B Encoder wheel standard bandage
- T Encoder wheel with triple-bandage

Pulse number/sinewave cycles

64	512	4096	32768
128	1024	8192	65536
256	2048	16384	131072

Maximum sinewave cycles 8192 for SinCos output.

Accessories

Connectors and cables

HEK 8	Sensor cable for encoders
-------	---------------------------

Encoders without bearings - incremental

Sensor head with integrated FPGA signal processing, magnetic sensing

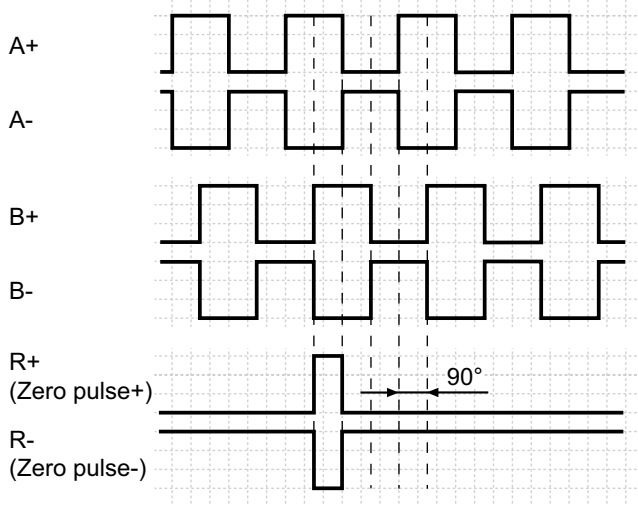
64...131072 pulses or 64...8192 sinewave cycles per turn

Through hollow shaft max. $\varnothing 80$ mm

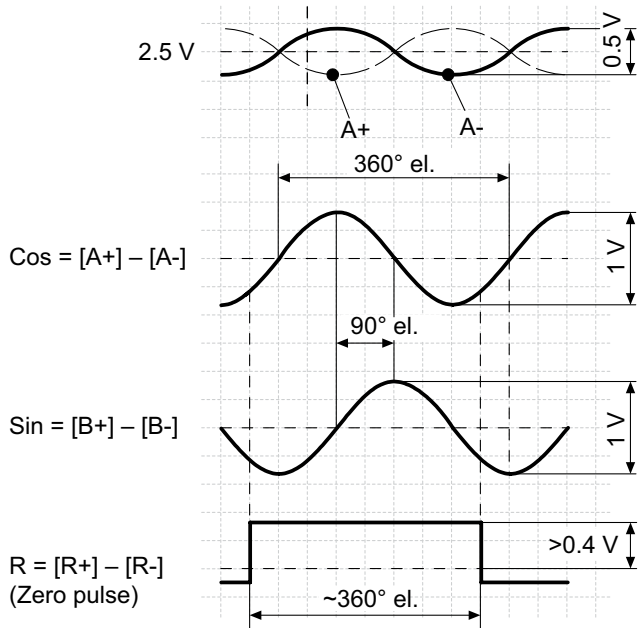
MHGP 100 - HDmag

Output signals

Version with square-wave signals HTL oder TTL at positive rotating direction



Version with SinCos signals at positive rotating direction

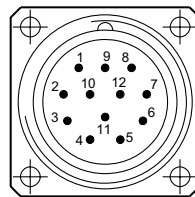


Terminal assignment

View A

Flange connector M23, 12-pin, male contacts, CCW

Pin	Assignment
1	B-
2	Do not use
3	R+ (Zero pulse)
4	R- (Zero pulse inv.)
5	A+
6	A-
7	Do not use
8	B+
9	Do not use
10	⊥
11	Do not use
12	+UB



Encoders without bearings - incremental

Sensor head with integrated FPGA signal processing, magnetic sensing

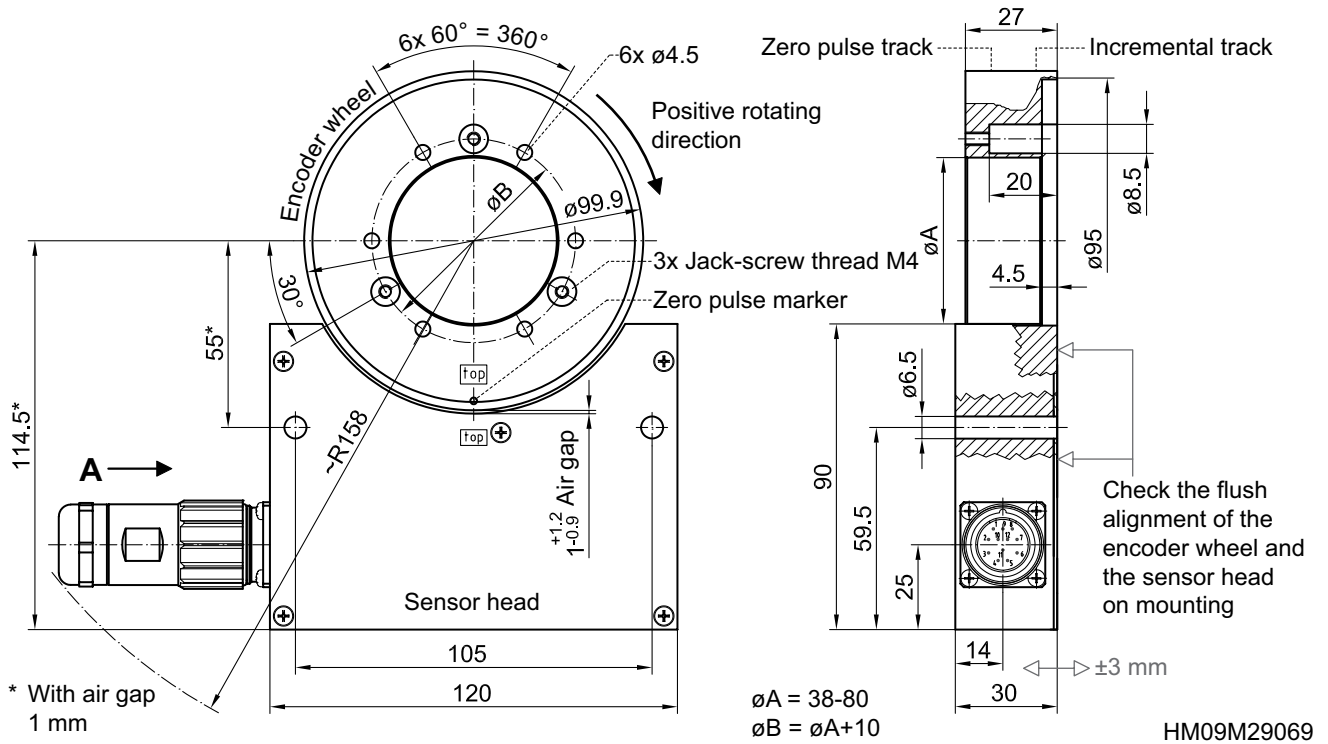
64...131072 pulses or 64...8192 sinewave cycles per turn

Through hollow shaft max. $\varnothing 80$ mm

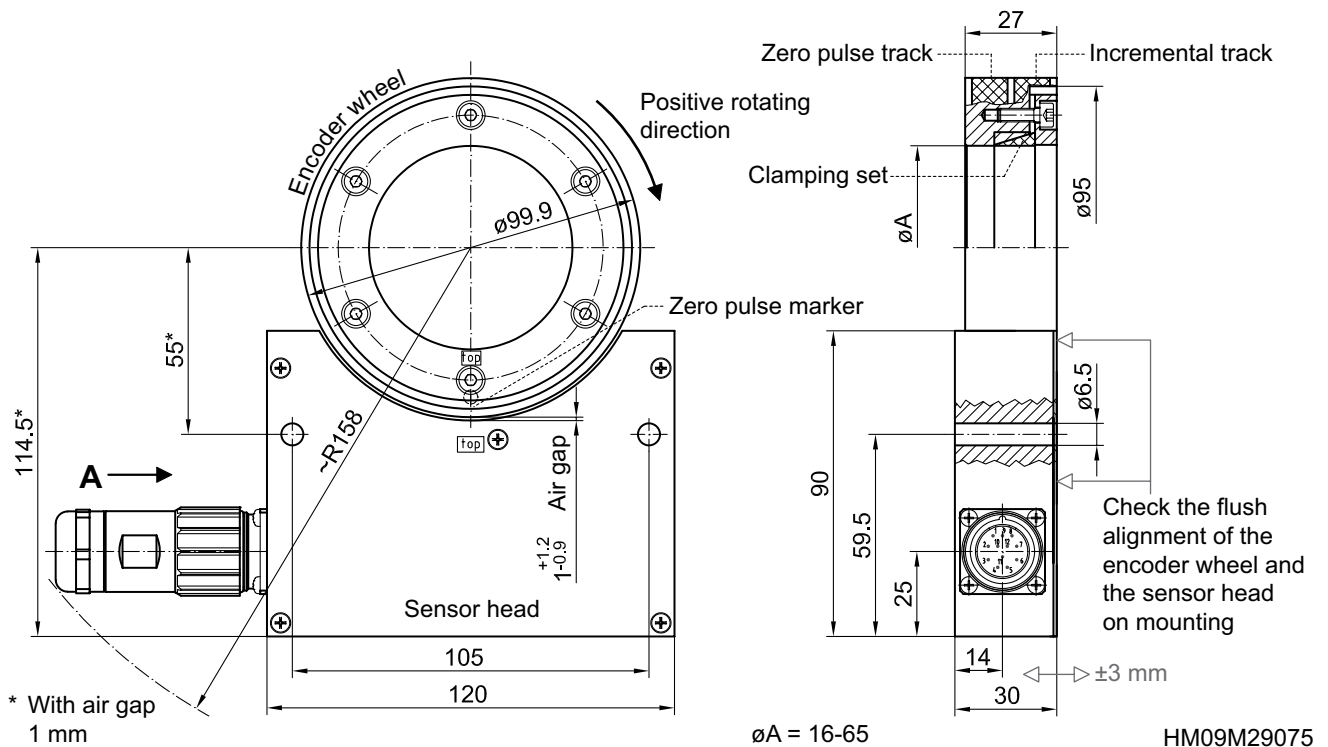
MHGP 100 - HDmag

Dimensions

Version for axial screw mounting



Version for clamping set mounting



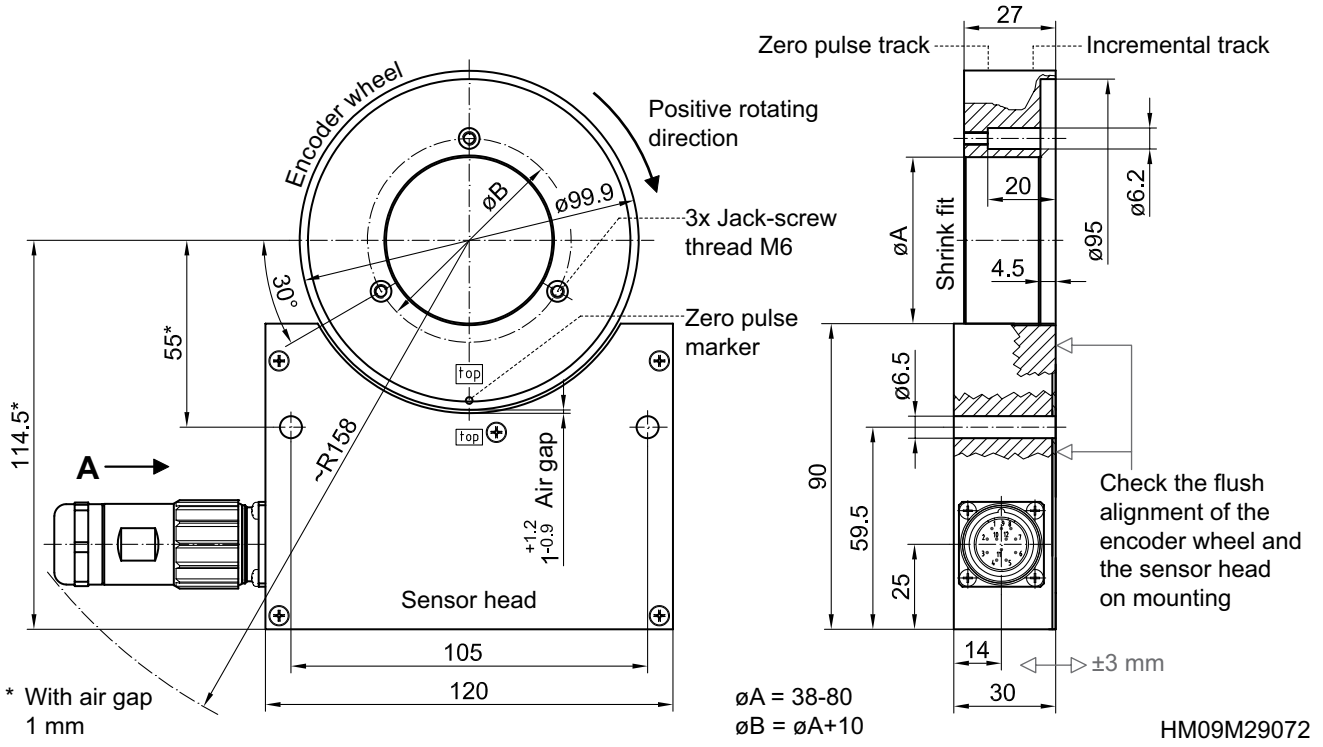
Encoders without bearings - incremental

Sensor head with integrated FPGA signal processing, magnetic sensing
64...131072 pulses or 64...8192 sinewave cycles per turn
Through hollow shaft max. $\varnothing 80$ mm

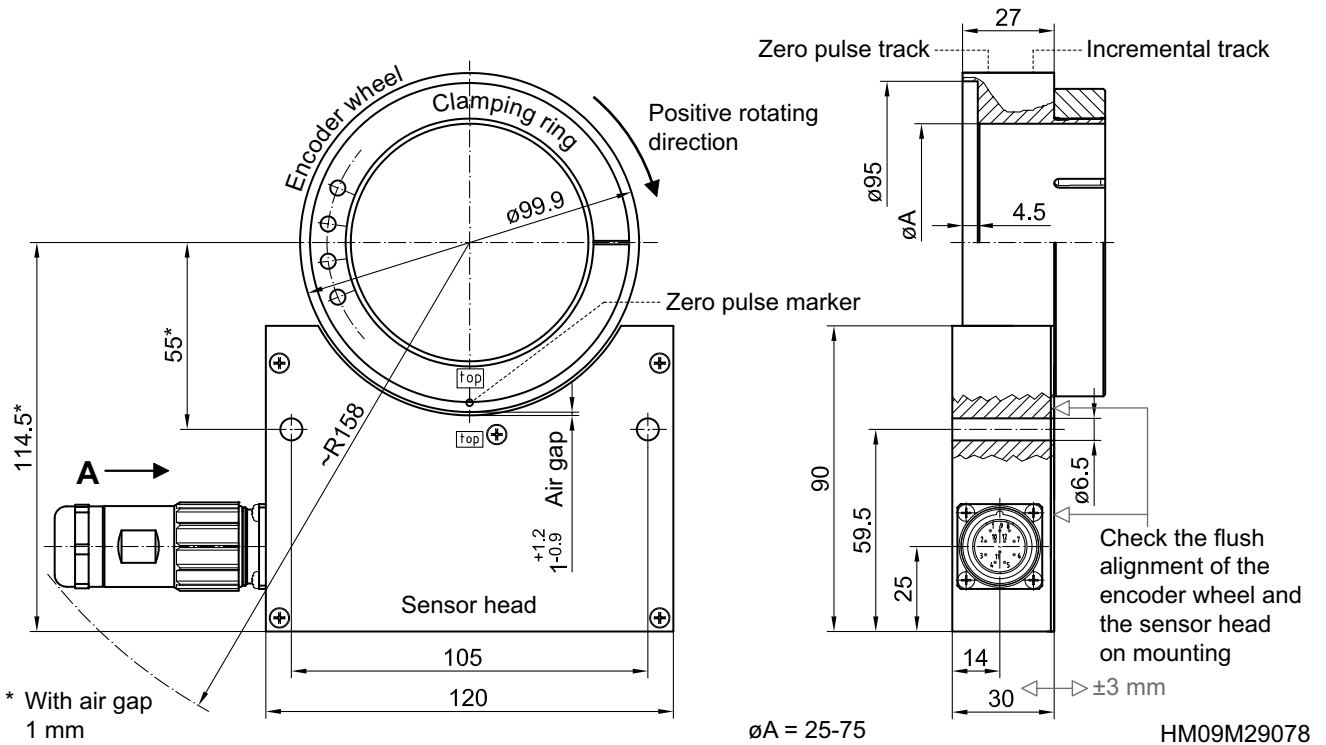
MHGP 100 - HDmag

Dimensions

Version for shrink fit mounting



Version for clamping ring mounting



Encoders without bearings - incremental

Sensor head with integrated FPGA signal processing, magnetic sensing

64...131072 pulses or 64...8192 sinewave cycles per turn

Through hollow shaft max. \varnothing 80 mm

MHGP 100 - *HDmag*
